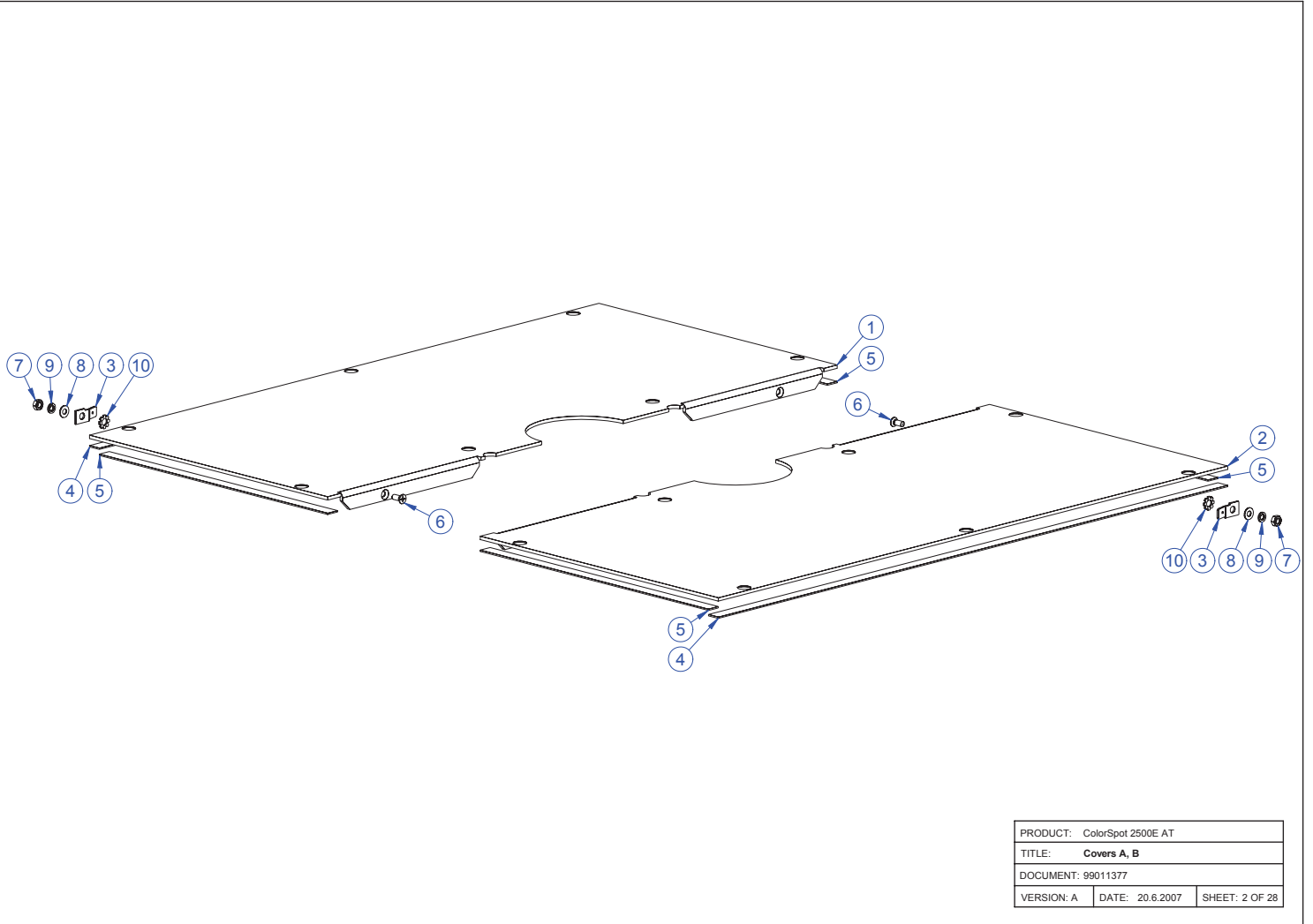
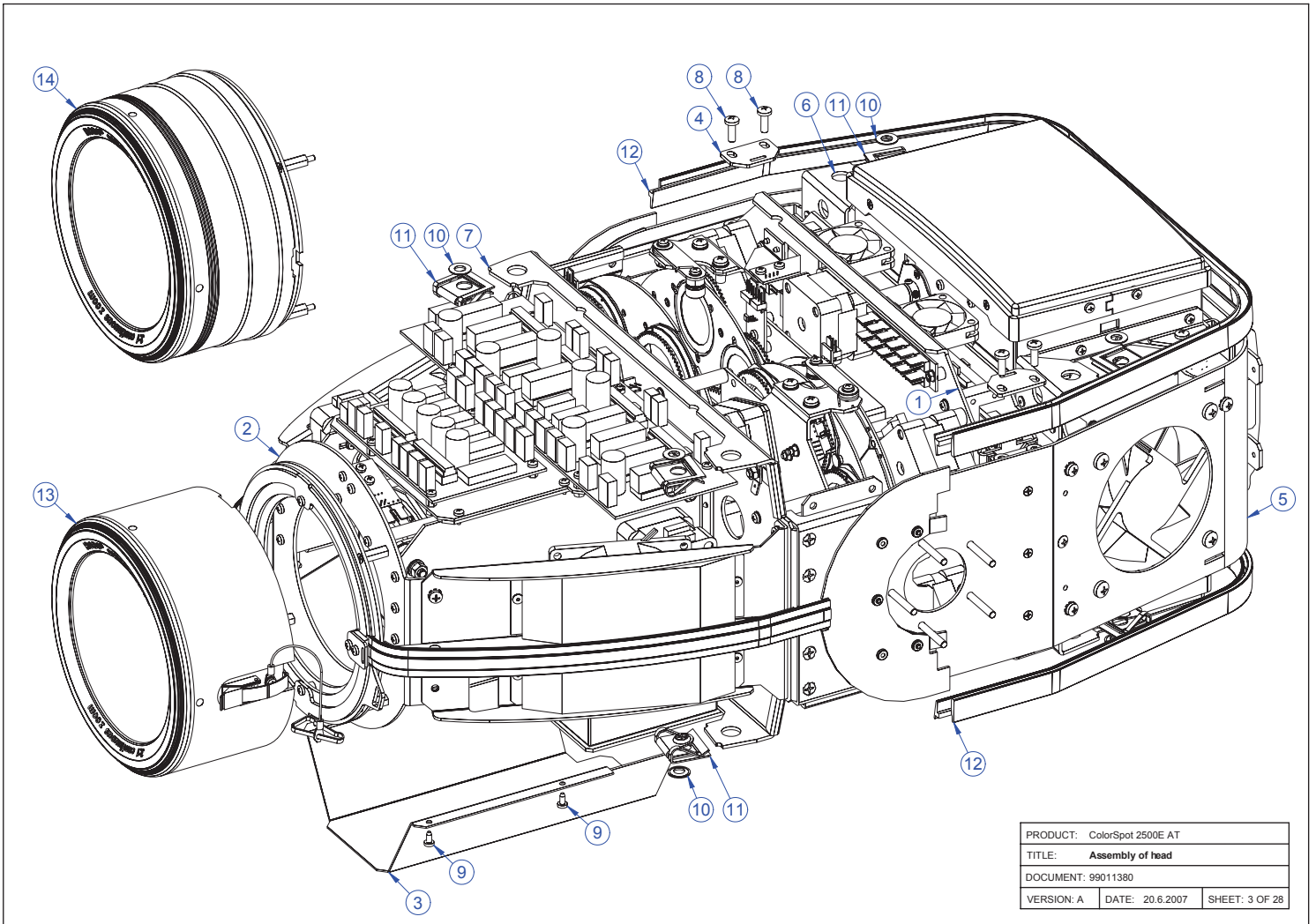
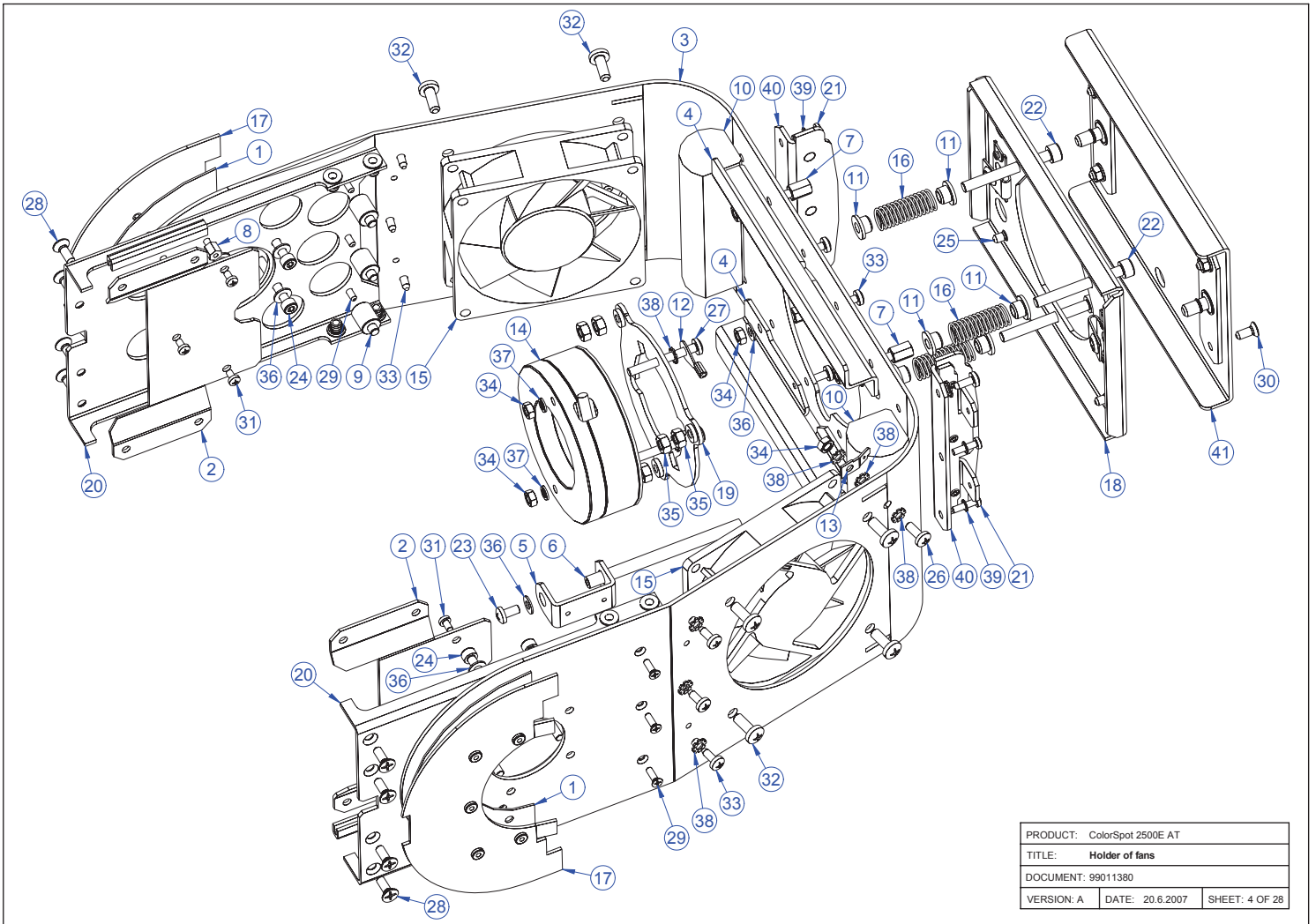


PRODUCT: ColorSpot 2500E AT		
TITLE: Covers		
DOCUMENT: 99011455		
VERSION: A	DATE: 20.6.2007	SHEET: 1 OF 28

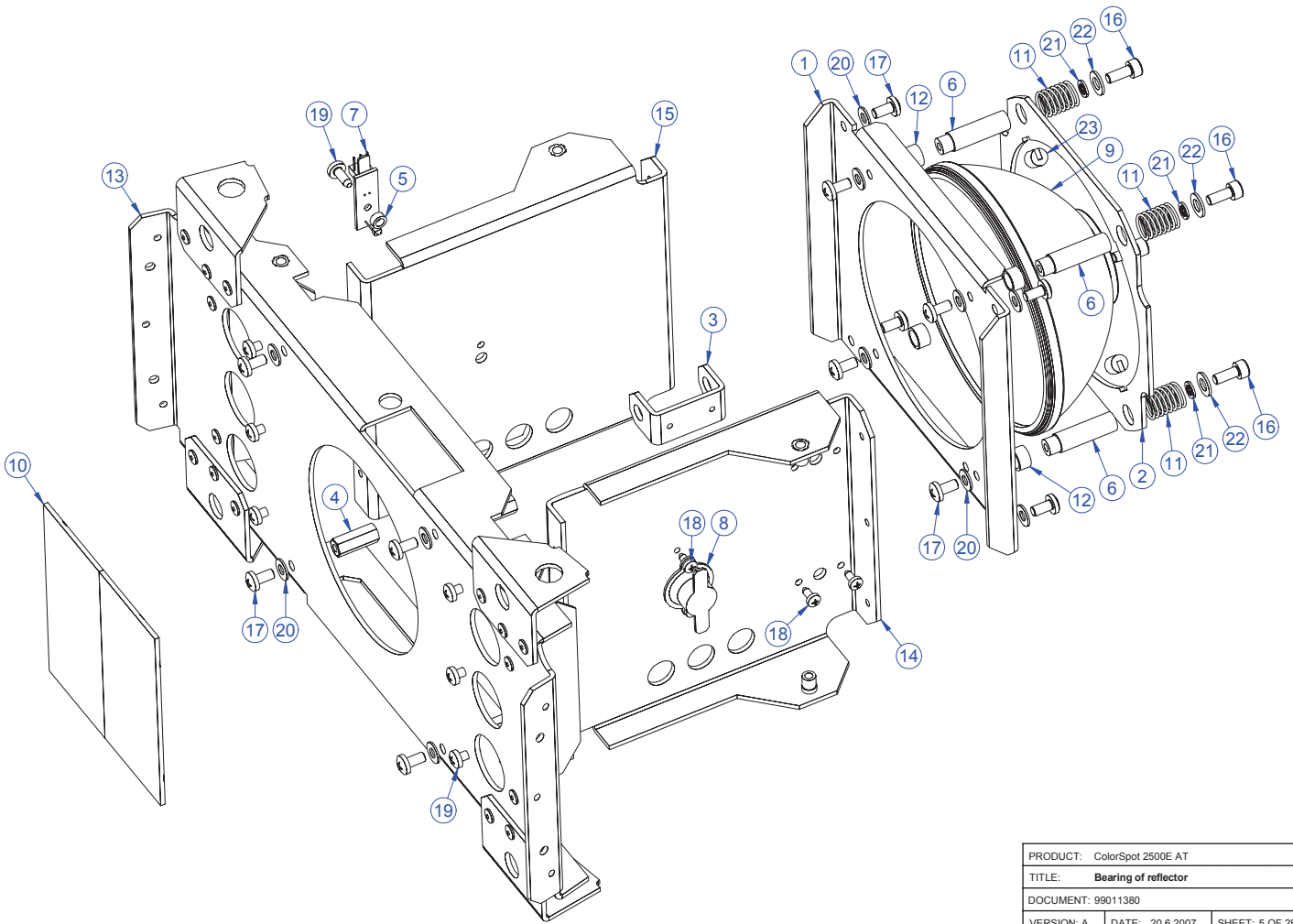




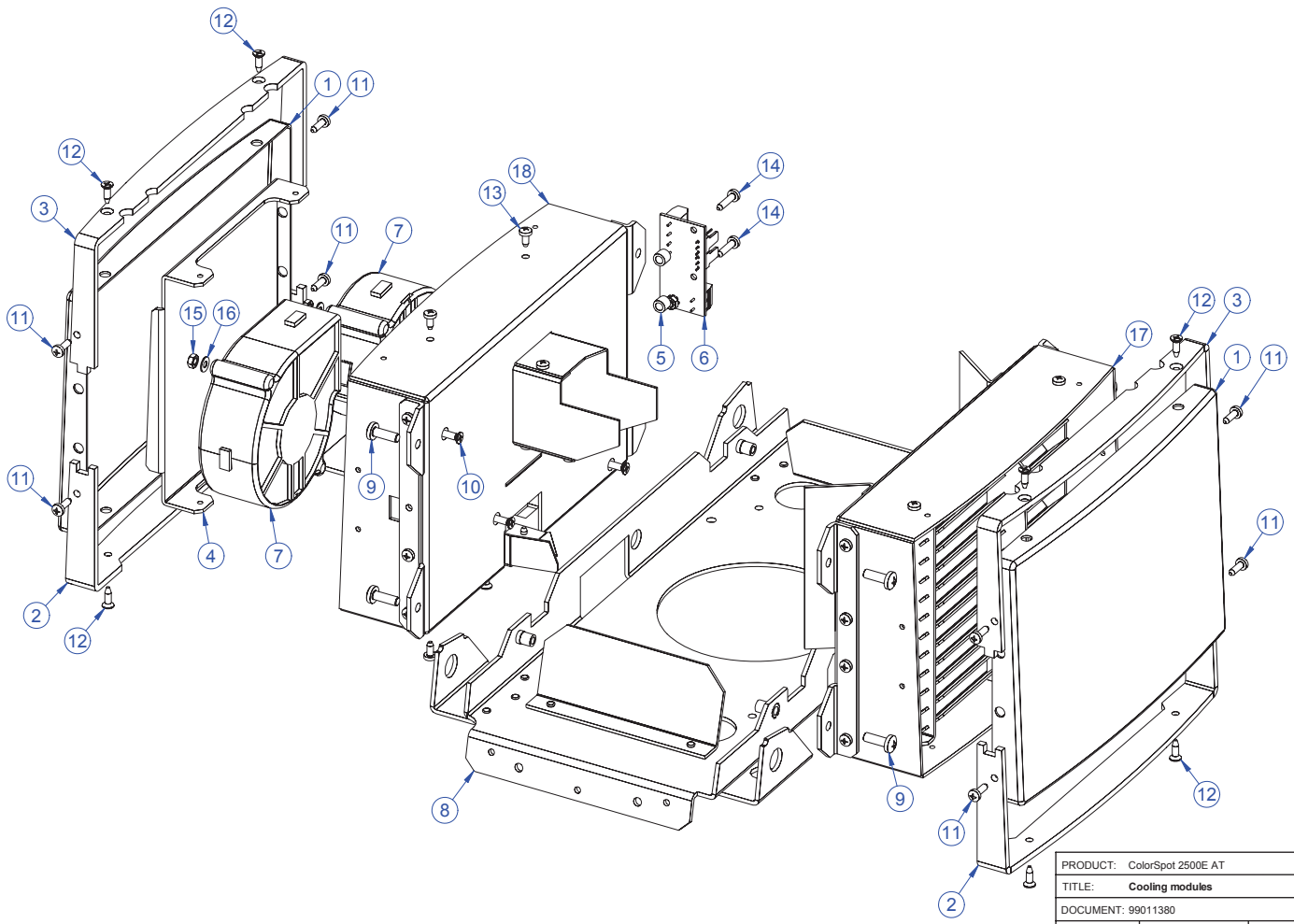
PRODUCT: ColorSpot 2500E AT		
TITLE: Assembly of head		
DOCUMENT: 99011380		
VERSION: A	DATE: 20.6.2007	SHEET: 3 OF 28



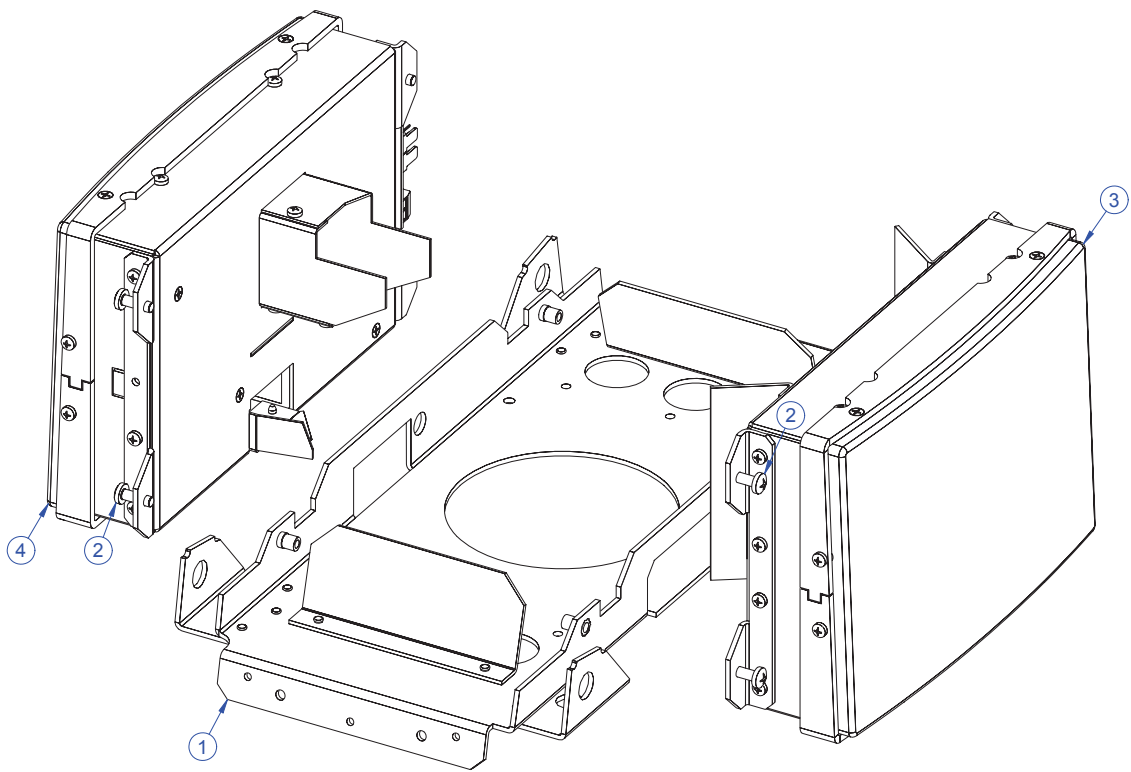
PRODUCT: ColorSpot 2500E AT		
TITLE: Holder of fans		
DOCUMENT: 99011380		
VERSION: A	DATE: 20.6.2007	SHEET: 4 OF 28



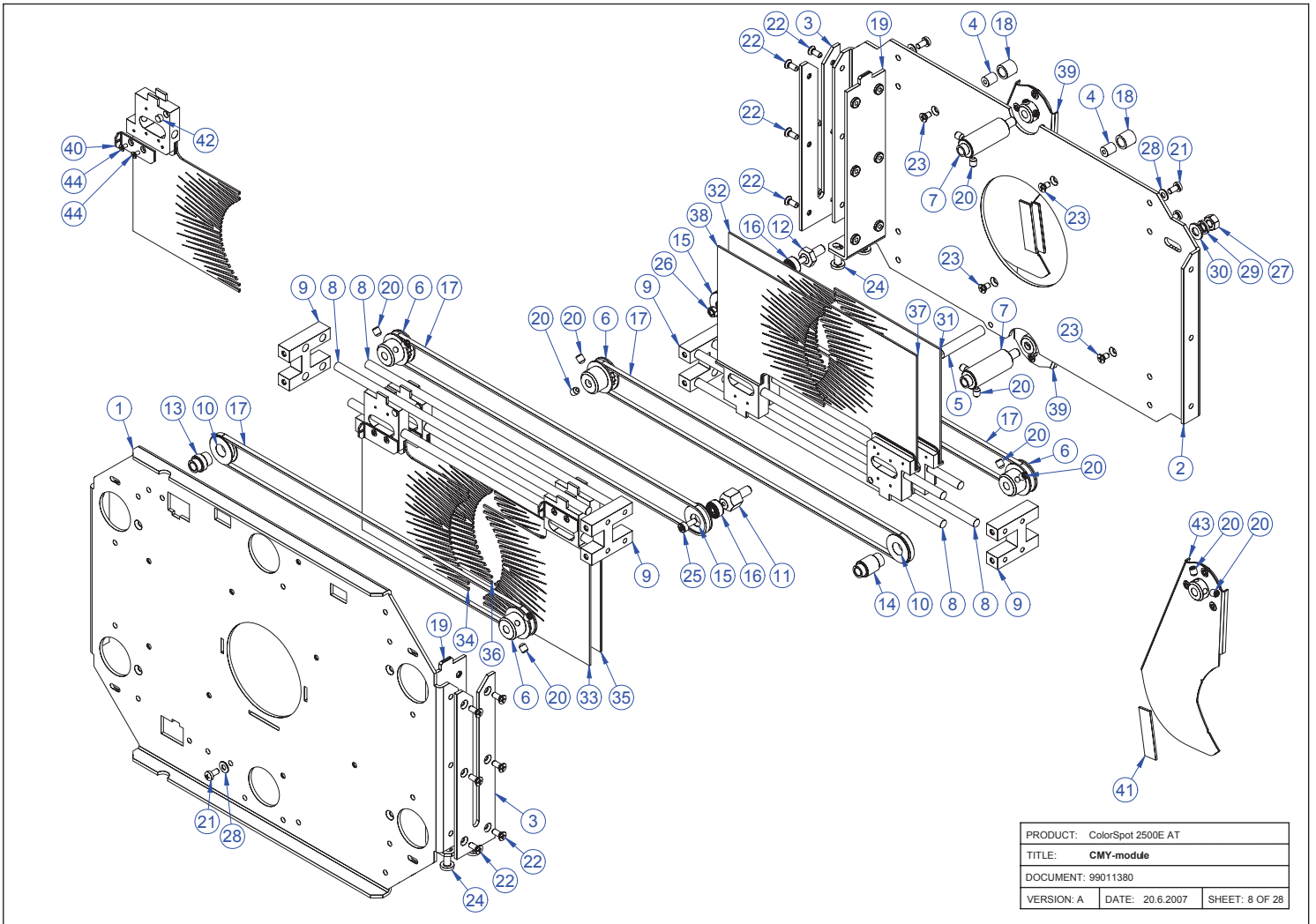
PRODUCT: ColorSpot 2500E AT		
TITLE: Bearing of reflector		
DOCUMENT: 99011380		
VERSION: A	DATE: 20.6.2007	SHEET: 5 OF 28



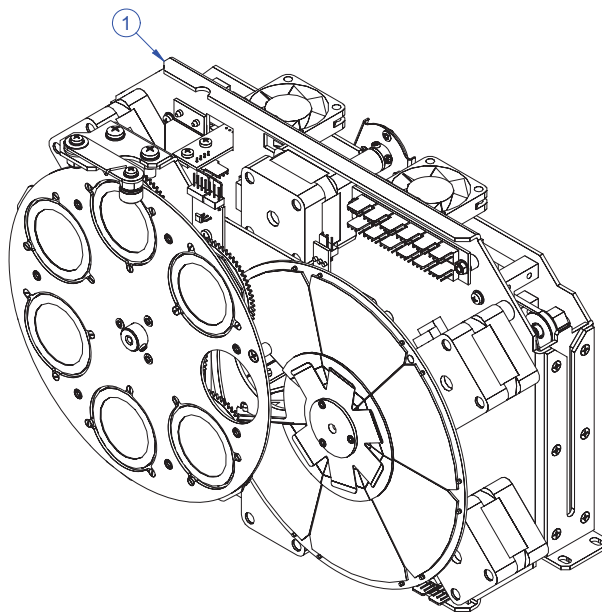
PRODUCT: ColorSpot 2500E AT		
TITLE: Cooling modules		
DOCUMENT: 99011380		
VERSION: A	DATE: 20.6.2007	SHEET: 6 OF 28



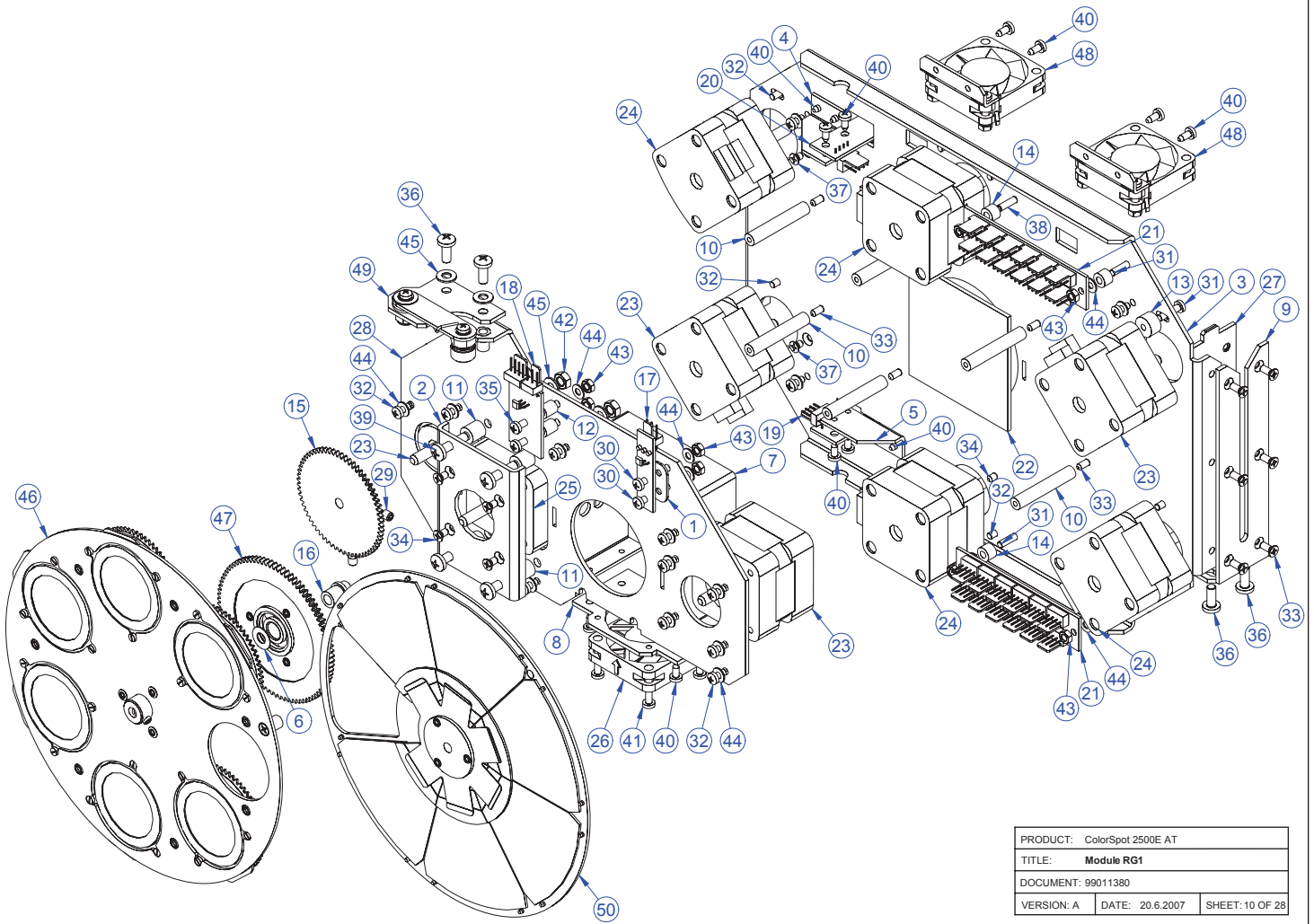
PRODUCT: ColorSpot 2500E AT		
TITLE: Cooling modules - assembled		
DOCUMENT: 99011380		
VERSION: A	DATE: 20.6.2007	SHEET: 7 OF 28



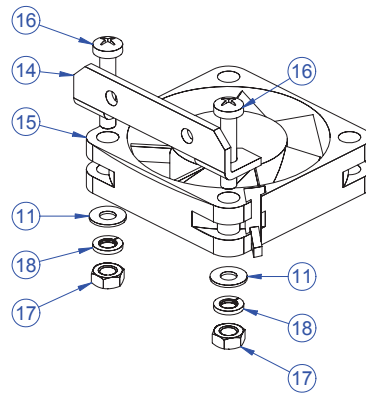
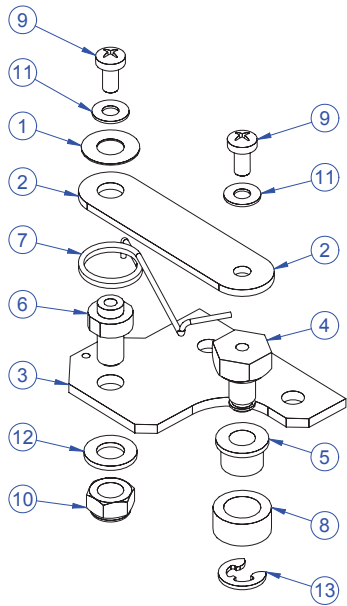




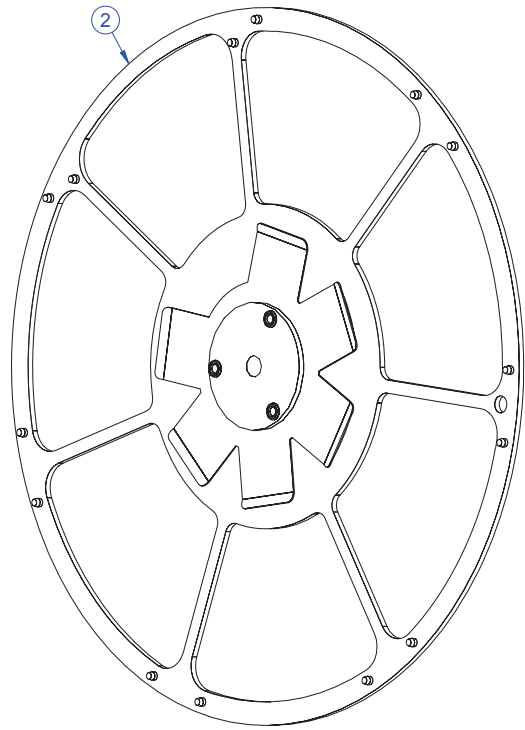
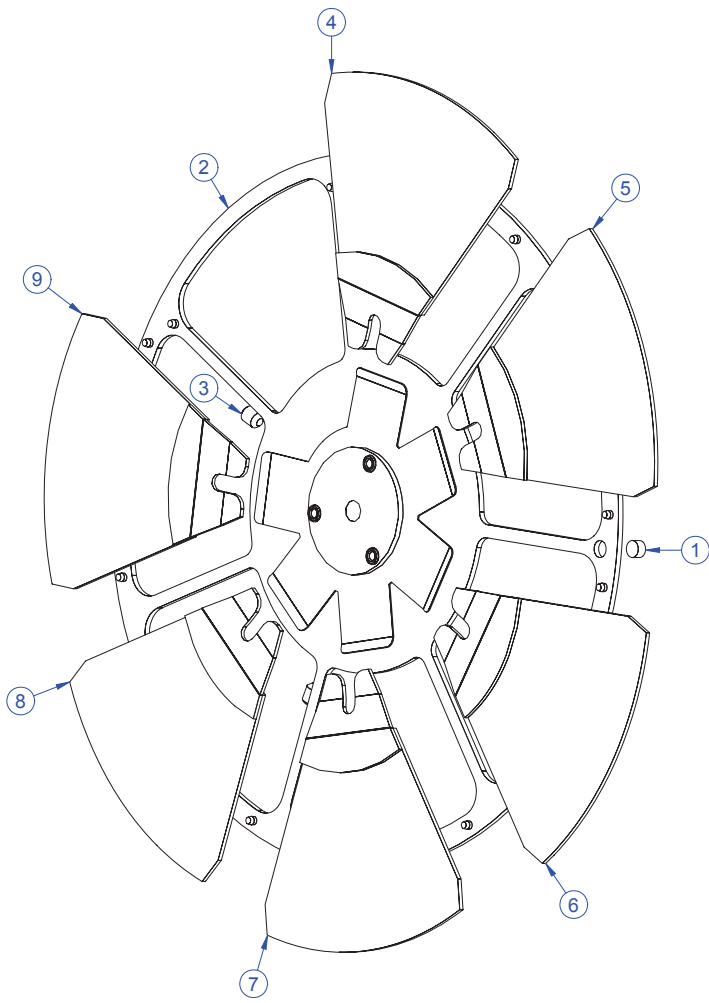
PRODUCT: ColorSpot 2500E AT		
TITLE: <b>CMY mixing system for CS 2500E AT</b>		
DOCUMENT: 99011380		
VERSION: A	DATE: 20.6.2007	SHEET: 9 OF 28



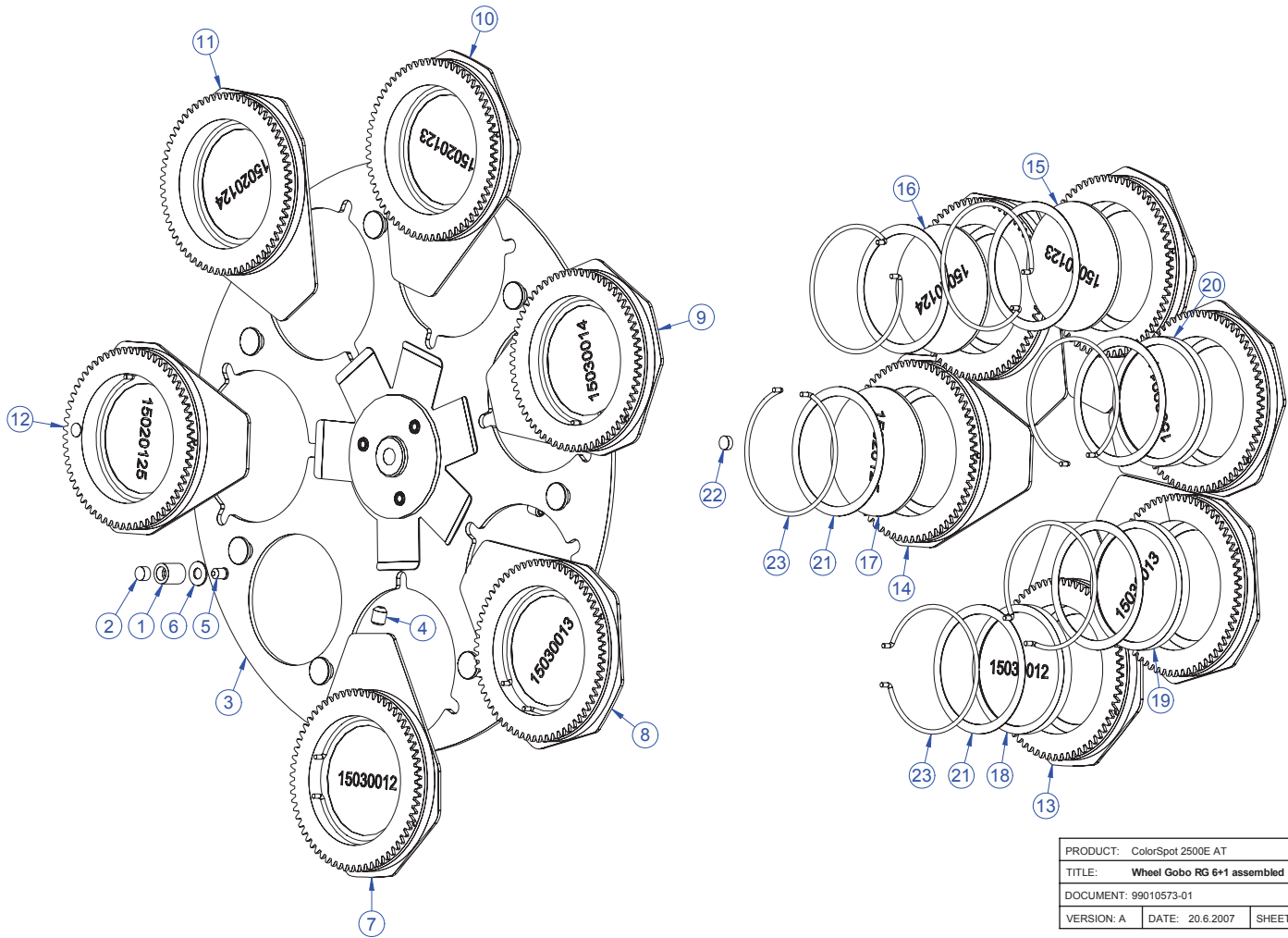
PRODUCT: ColorSpot 2500E AT		
TITLE: Module RG1		
DOCUMENT: 99011380		
VERSION: A	DATE: 20.6.2007	SHEET: 10 OF 28



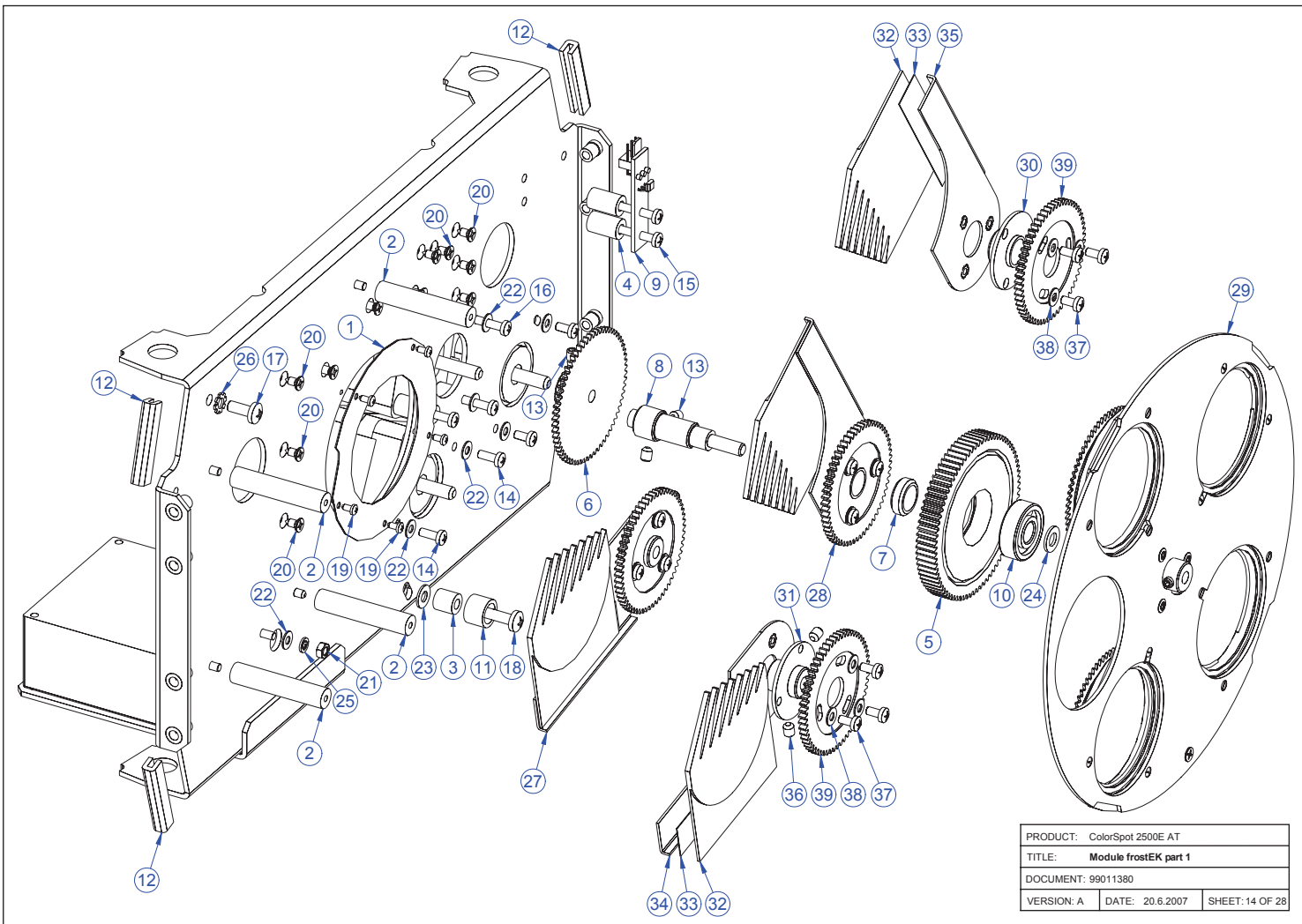
PRODUCT: ColorSpot 2500E AT		
TITLE: Stabilizer RG, Cooler of CMY		
DOCUMENT: 99010820, 99010647		
VERSION: A	DATE: 20.6.2007	SHEET: 11 OF 28



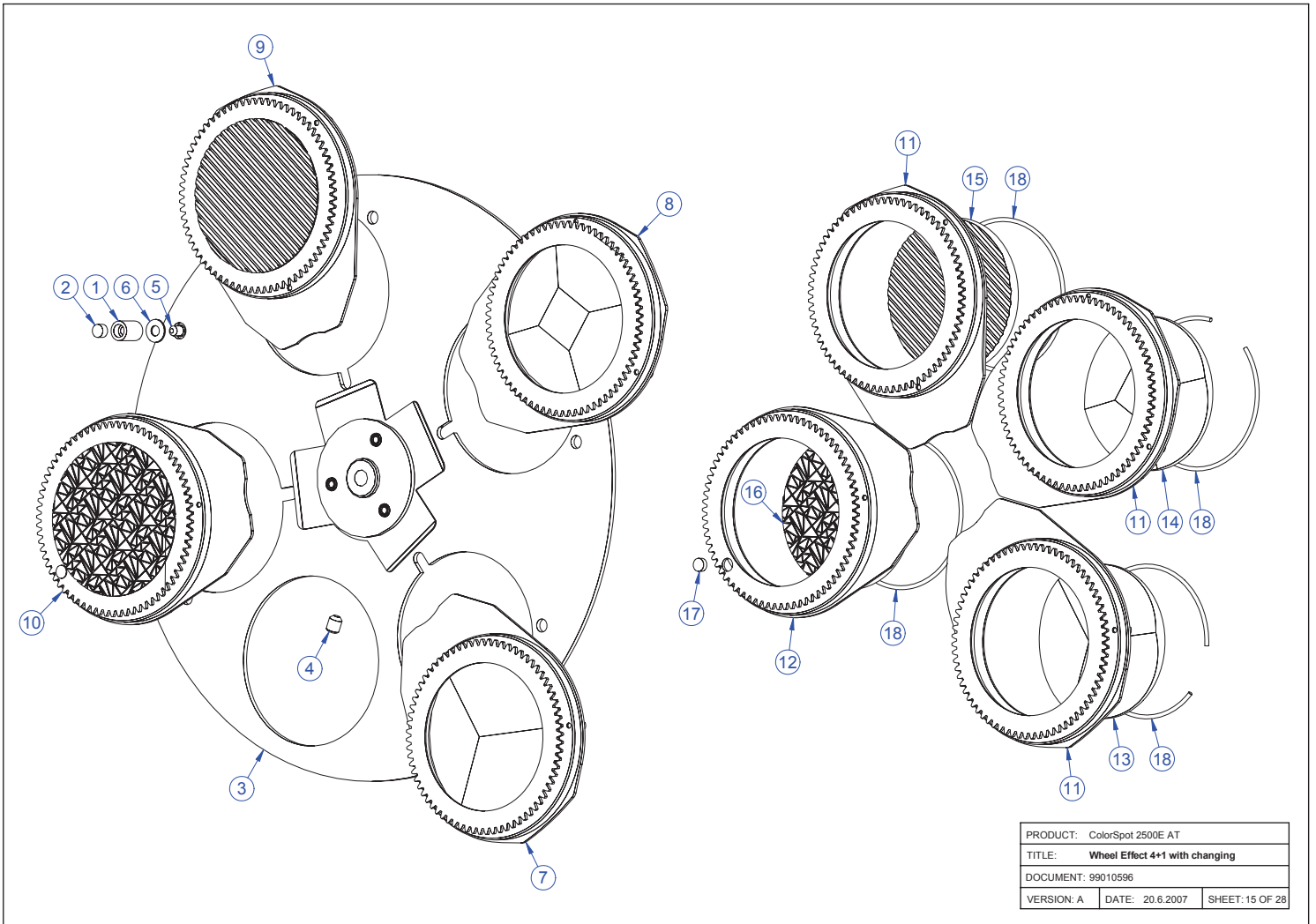
PRODUCT: ColorSpot 2500E AT		
TITLE: Wheel Color 6+1 assembled		
DOCUMENT: 99011476		
VERSION: A	DATE: 20.6.2007	SHEET: 12 OF 28



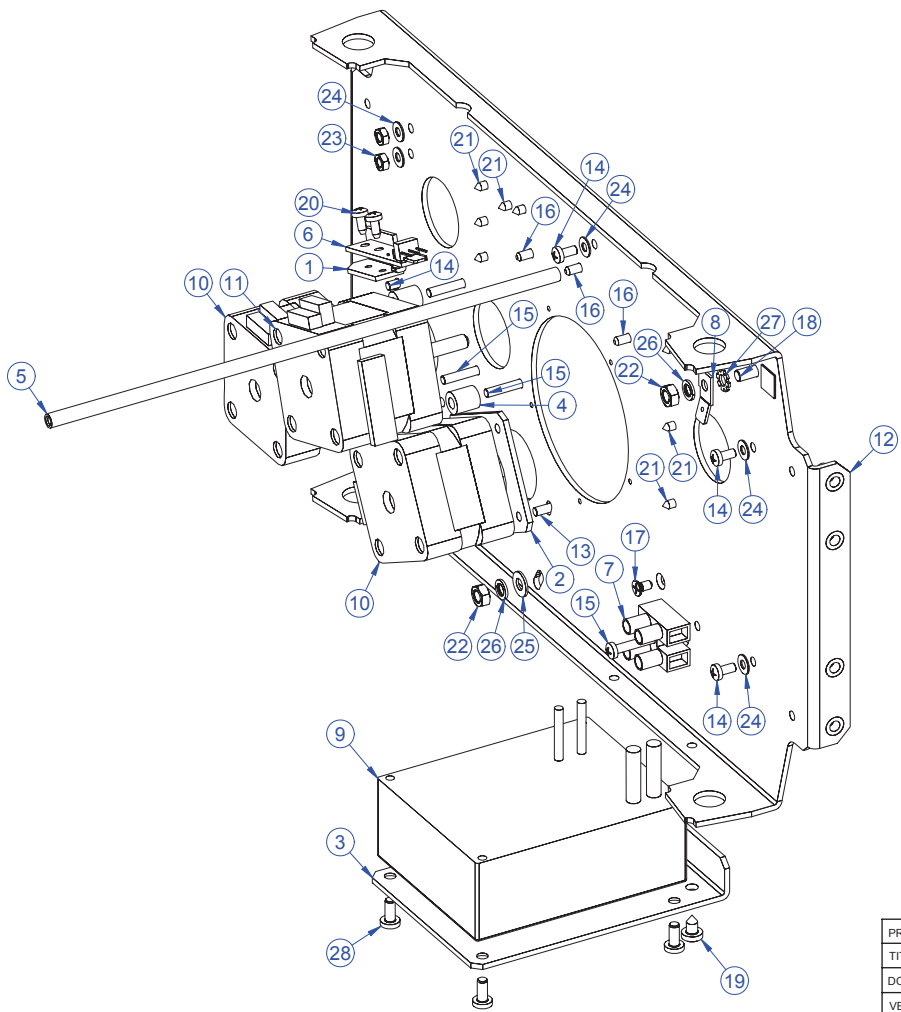
PRODUCT: ColorSpot 2500E AT		
TITLE: Wheel Gobo RG 6+1 assembled		
DOCUMENT: 99010573-01		
VERSION: A	DATE: 20.6.2007	SHEET: 13 OF 28



PRODUCT: ColorSpot 2500E AT		
TITLE: Module frostEK part 1		
DOCUMENT: 99011380		
VERSION: A	DATE: 20.6.2007	SHEET: 14 OF 28

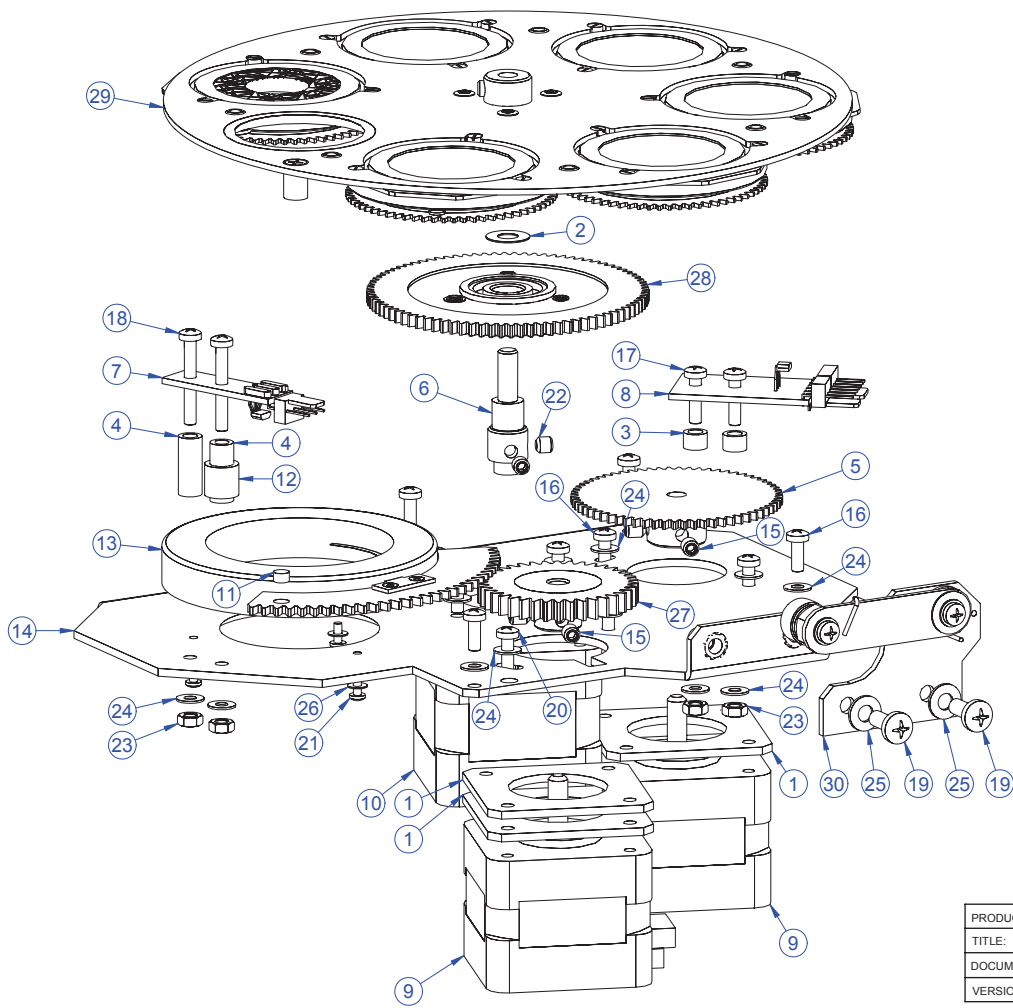


PRODUCT: ColorSpot 2500E AT		
TITLE: Wheel Effect 4+1 with changing		
DOCUMENT: 99010596		
VERSION: A	DATE: 20.6.2007	SHEET: 15 OF 28

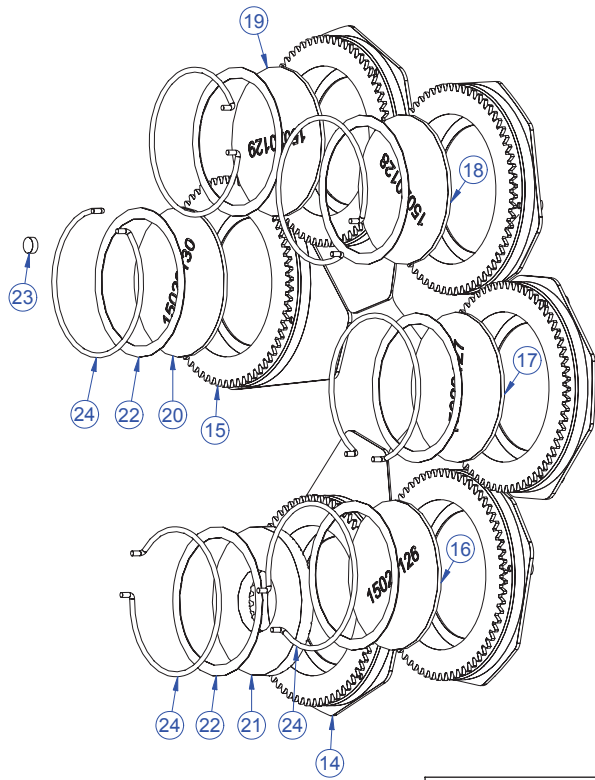
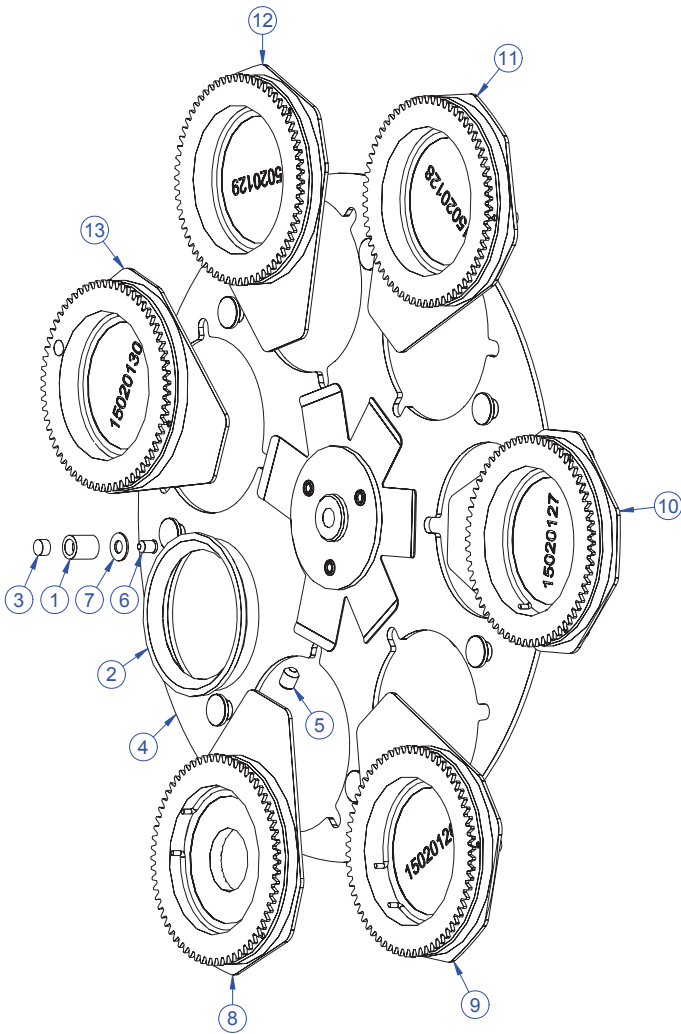


PRODUCT: ColorSpot 2500E AT		
TITLE: <b>Module frostEK part 2</b>		
DOCUMENT: 99011380		
VERSION: A	DATE: 20.6.2007	SHEET: 16 OF 28

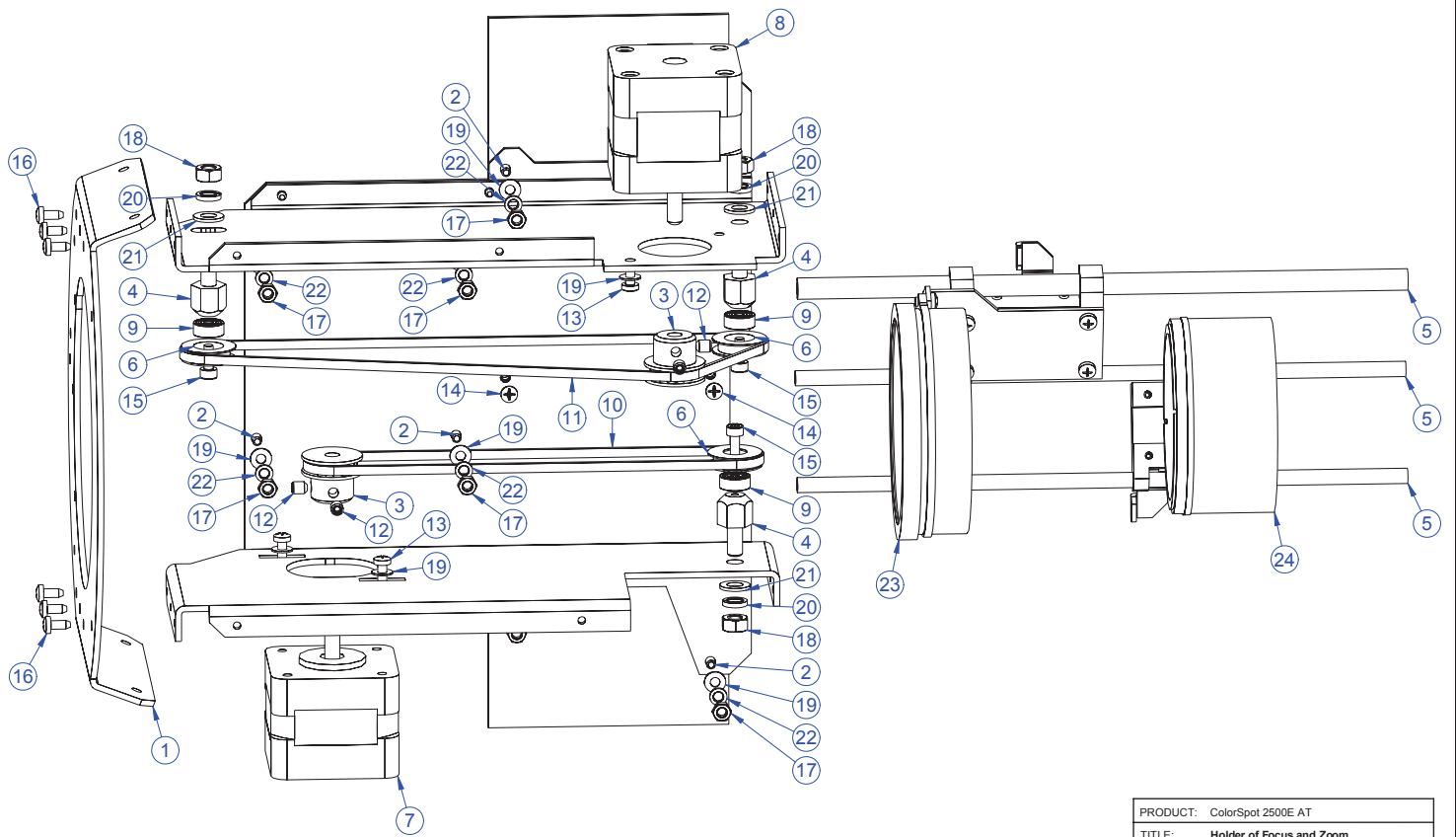




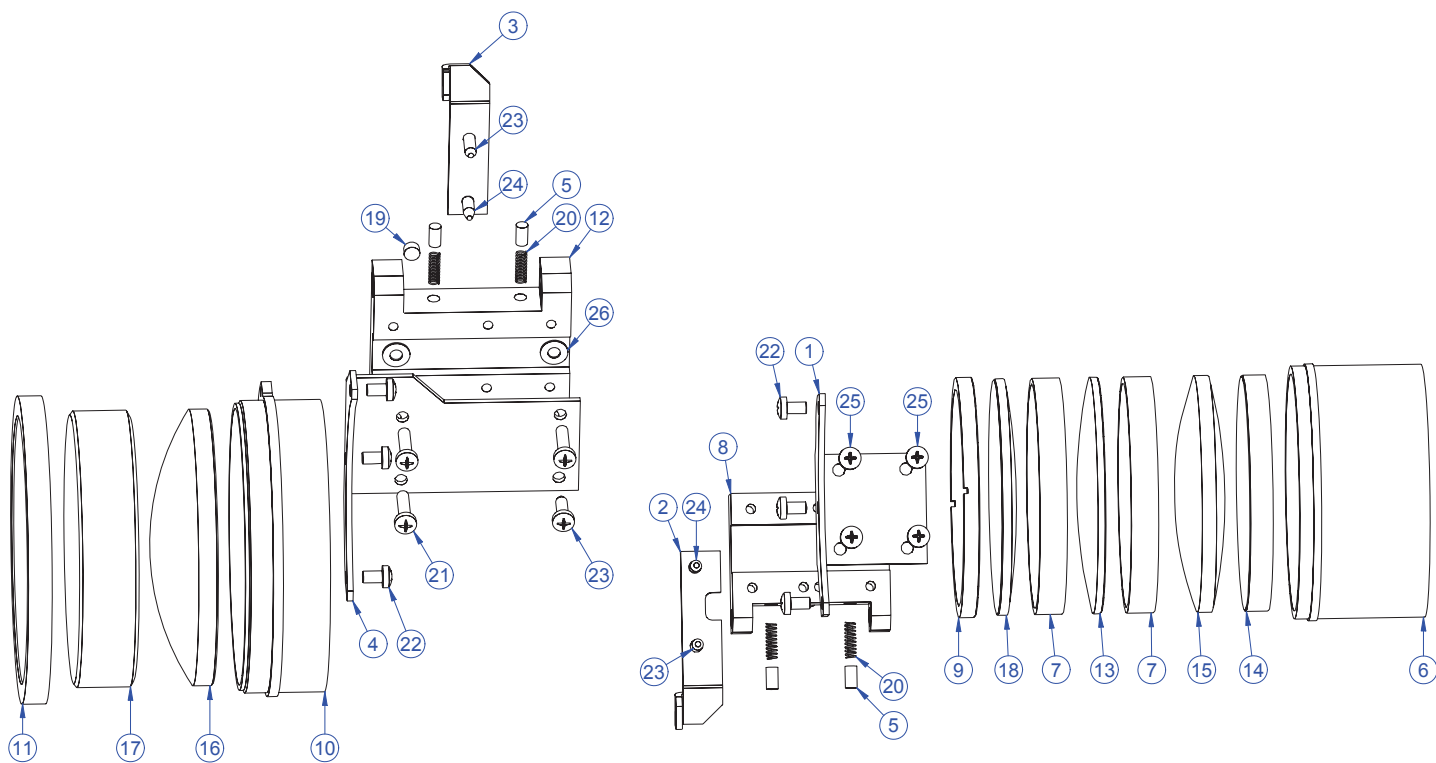
PRODUCT: ColorSpot 2500E AT		
TITLE: Module Iris and RG2		
DOCUMENT: 99011380		
VERSION: A	DATE: 20.6.2007	SHEET: 17 OF 28



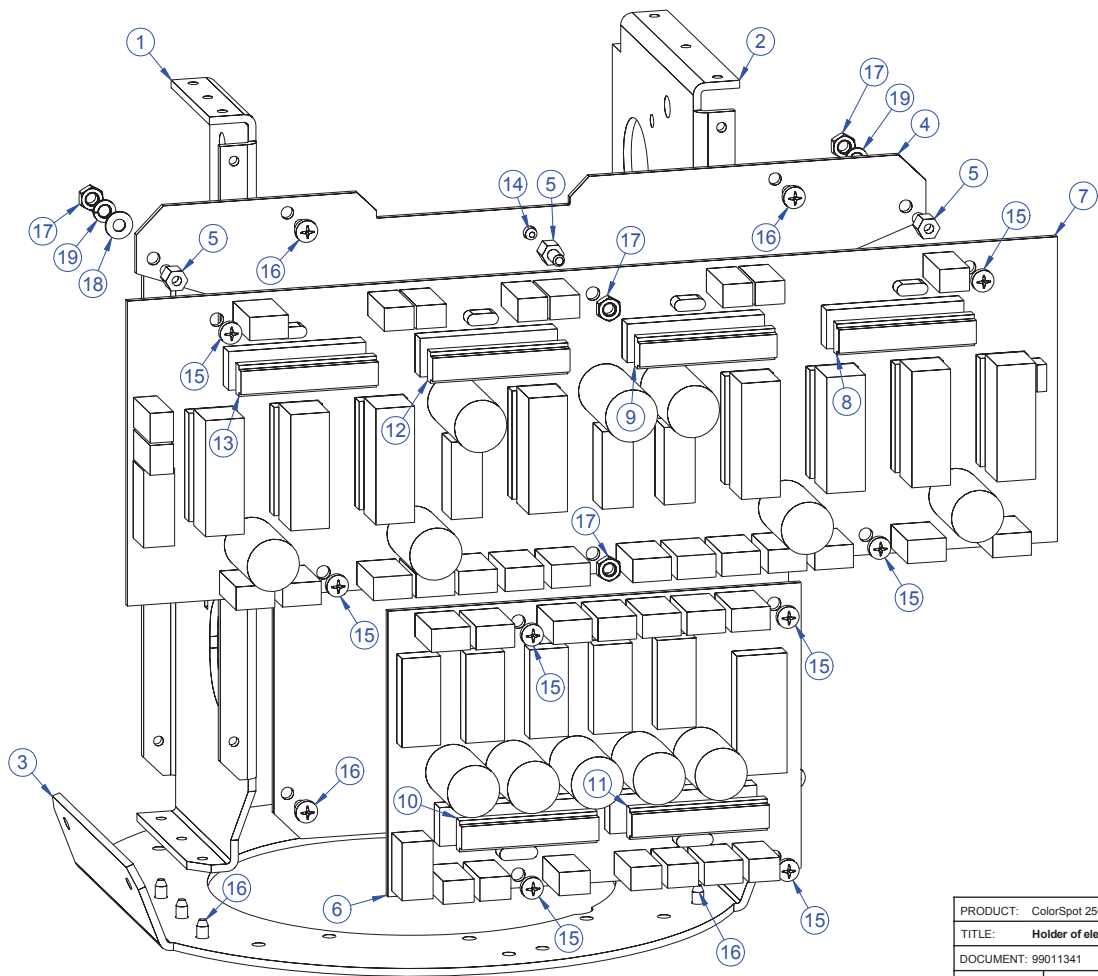
PRODUCT: ColorSpot 2500E AT		
TITLE: Wheel Gobo RG 6+1 "B" with changing		
DOCUMENT: 99010607		
VERSION: A	DATE: 20.6.2007	SHEET: 18 OF 28



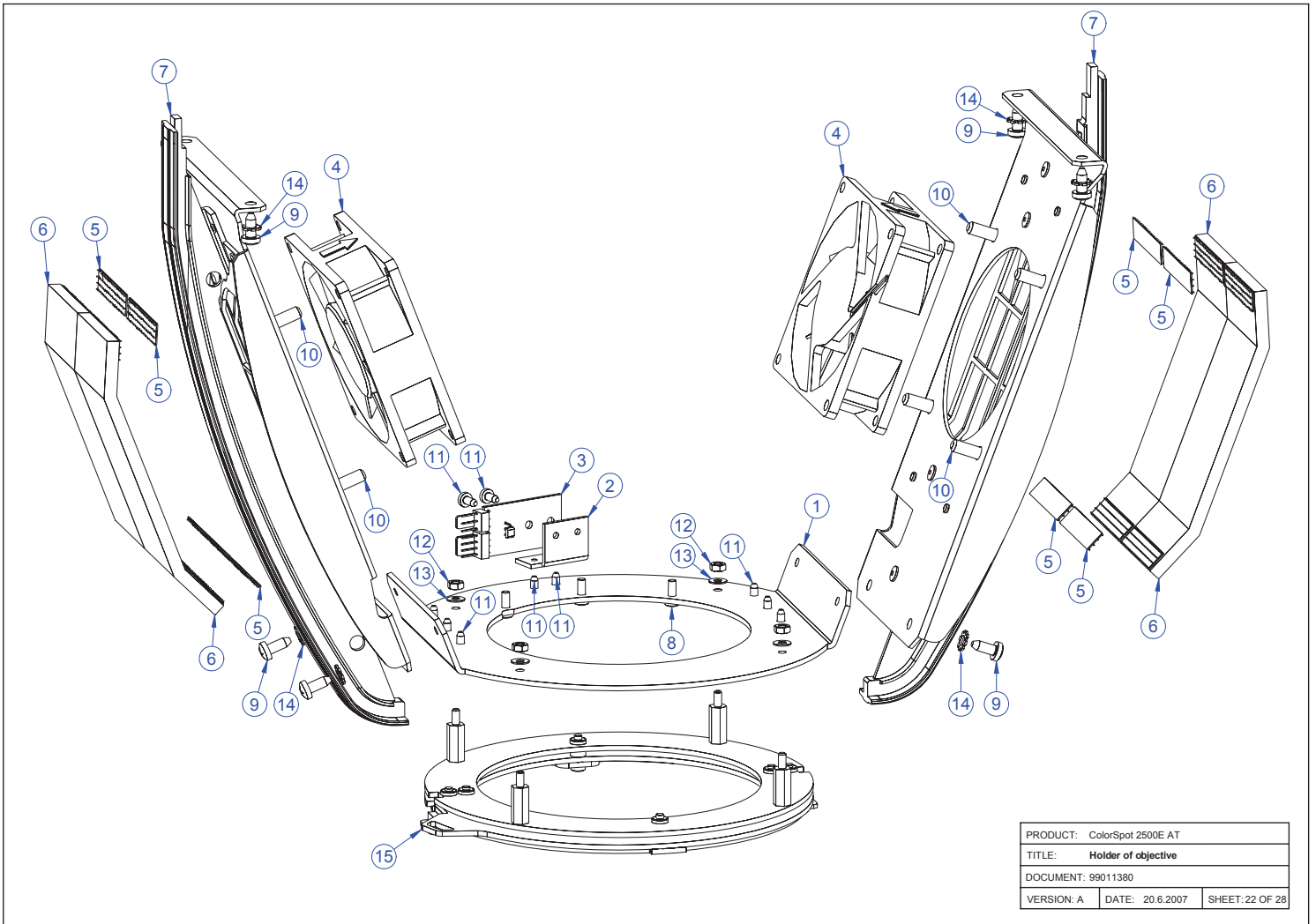
PRODUCT: ColorSpot 2500E AT		
TITLE: Holder of Focus and Zoom		
DOCUMENT: 99011380		
VERSION: A	DATE: 20.6.2007	SHEET: 19 OF 28



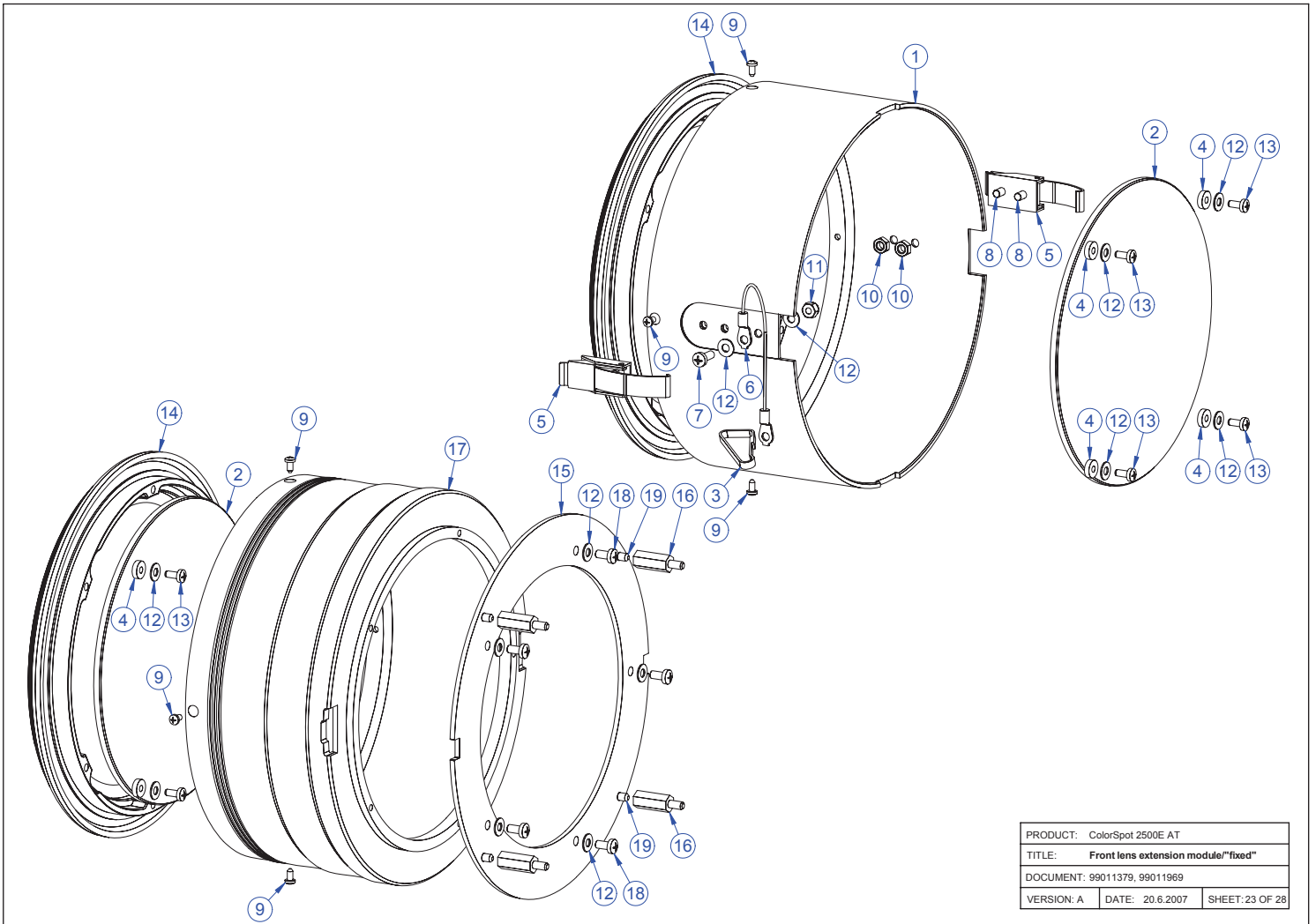
PRODUCT: ColorSpot 2500E AT		
TITLE: Focus and Zoom - exploded		
DOCUMENT: 99011373, 99011245		
VERSION: A	DATE: 20.6.2007	SHEET: 20 OF 28



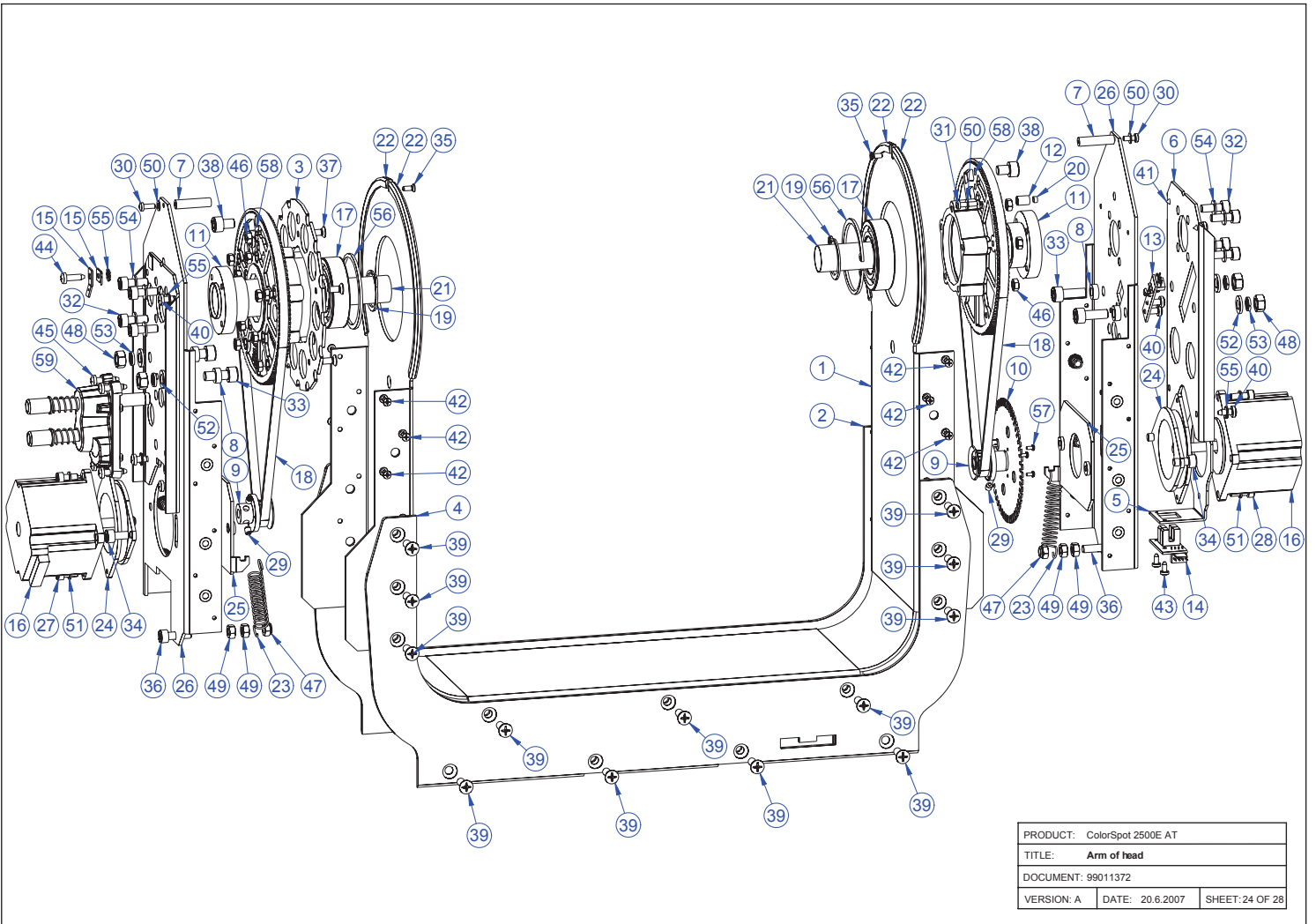
PRODUCT: ColorSpot 2500E AT		
TITLE: Holder of electronic		
DOCUMENT: 99011341		
VERSION: A	DATE: 20.6.2007	SHEET: 21 OF 28



PRODUCT: ColorSpot 2500E AT		
TITLE: Holder of objective		
DOCUMENT: 99011380		
VERSION: A	DATE: 20.6.2007	SHEET: 22 OF 28

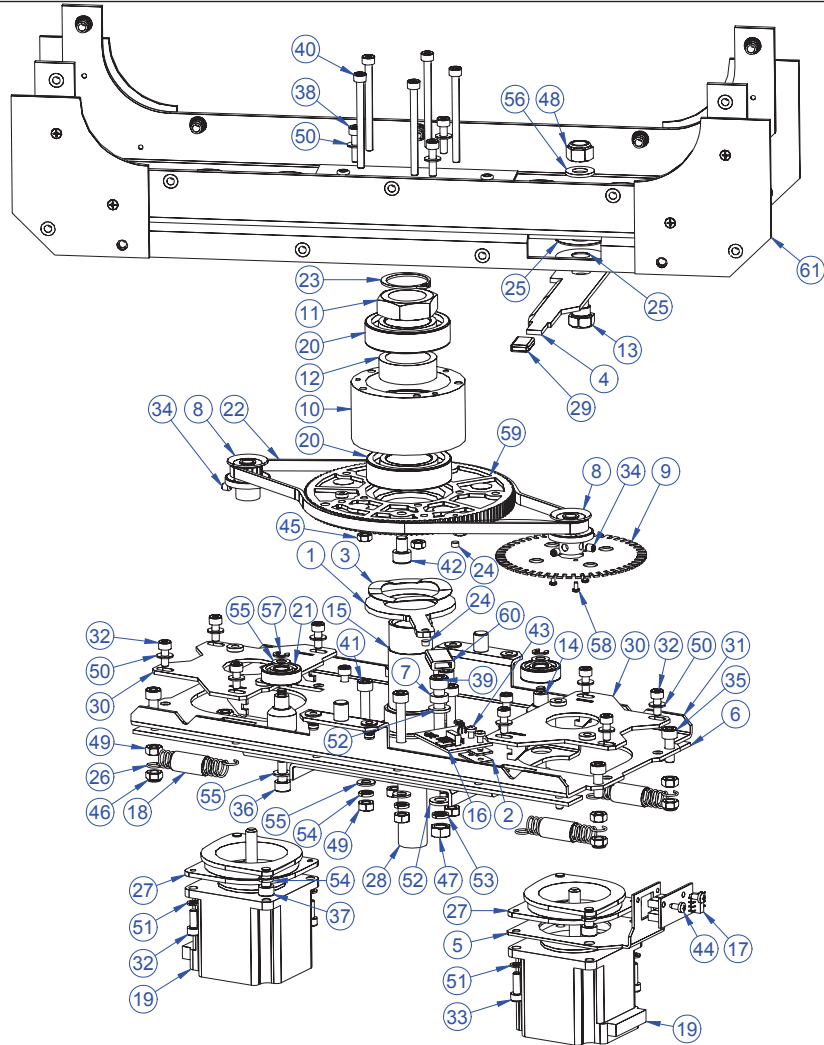


PRODUCT: ColorSpot 2500E AT		
TITLE: Front lens extension module/"fixed"		
DOCUMENT: 99011379, 99011969		
VERSION: A	DATE: 20.6.2007	SHEET: 23 OF 28

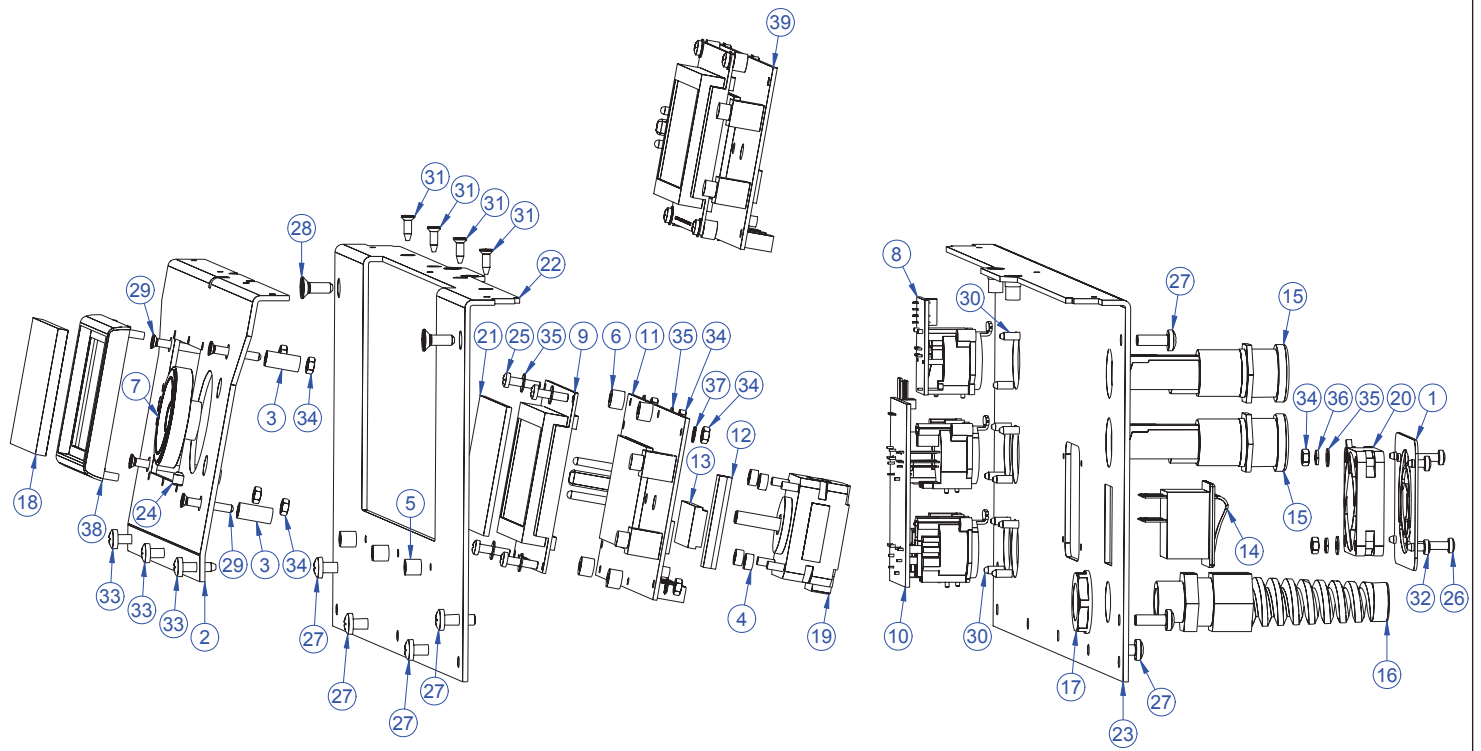


PRODUCT: ColorSpot 2500E AT		
TITLE: Arm of head		
DOCUMENT: 99011372		
VERSION: A	DATE: 20.6.2007	SHEET: 24 OF 28

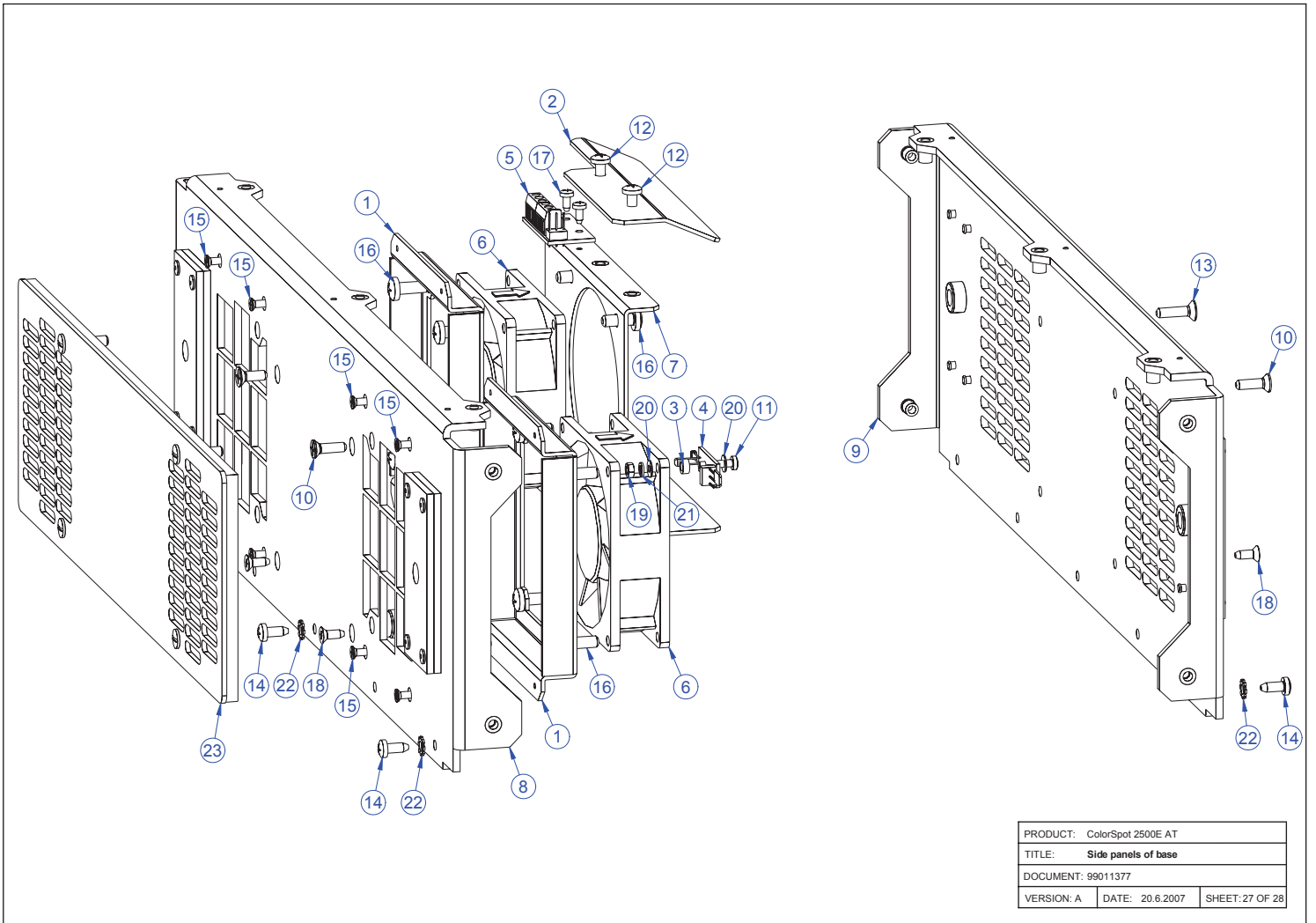




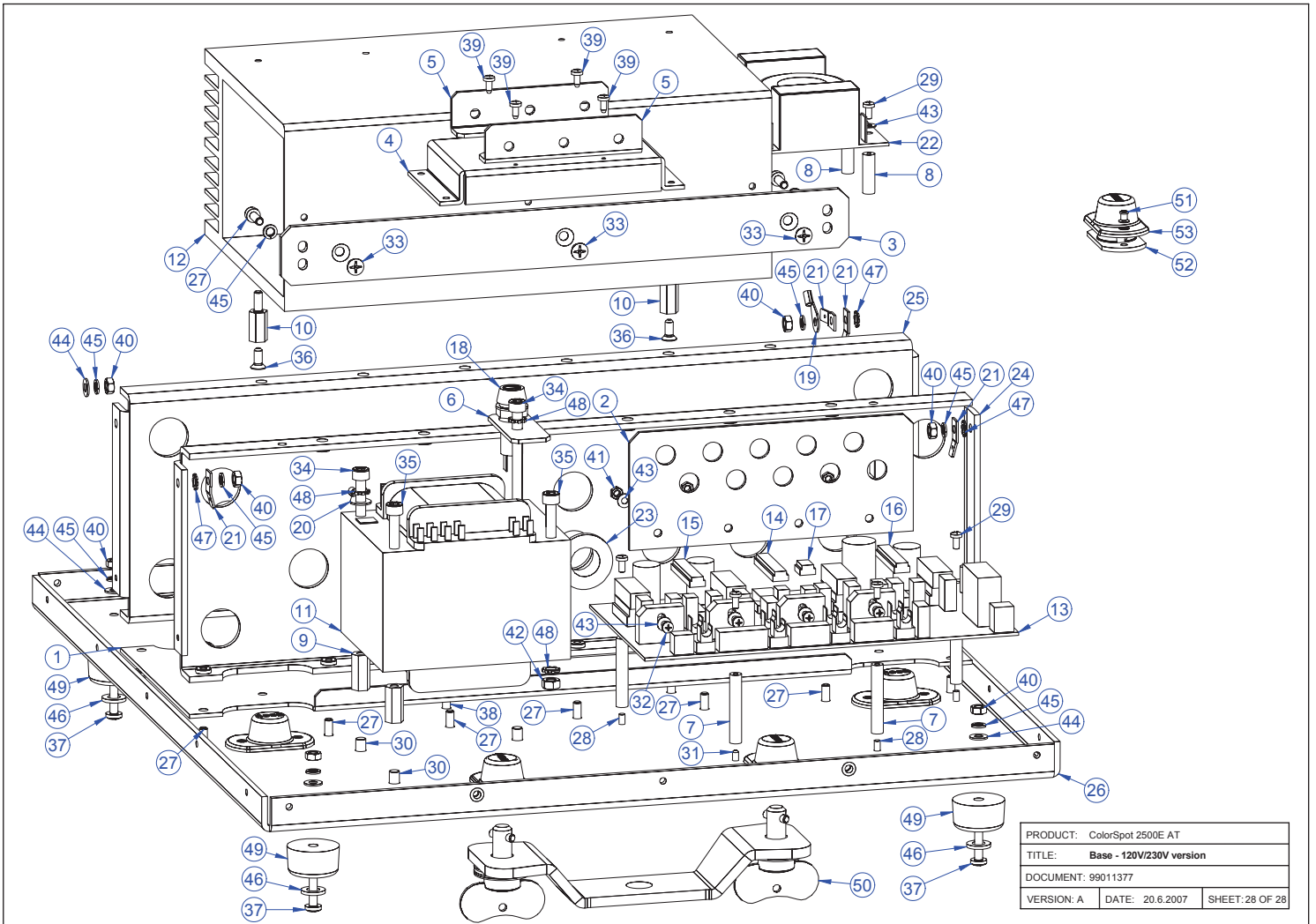
PRODUCT: ColorSpot 2500E AT		
TITLE: Axe "X"		
DOCUMENT: 99010689		
VERSION: A	DATE: 20.6.2007	SHEET: 25 OF 28



PRODUCT: ColorSpot 2500E AT		
TITLE: Front and rear panel of base		
DOCUMENT: 99011377		
VERSION: A	DATE: 20.6.2007	SHEET: 26 OF 28



PRODUCT: ColorSpot 2500E AT		
TITLE: Side panels of base		
DOCUMENT: 99011377		
VERSION: A	DATE: 20.6.2007	SHEET: 27 OF 28



PRODUCT: ColorSpot 2500E AT		
TITLE: Base - 120V/230V version		
DOCUMENT: 99011377		
VERSION: A	DATE: 20.6.2007	SHEET: 28 OF 28